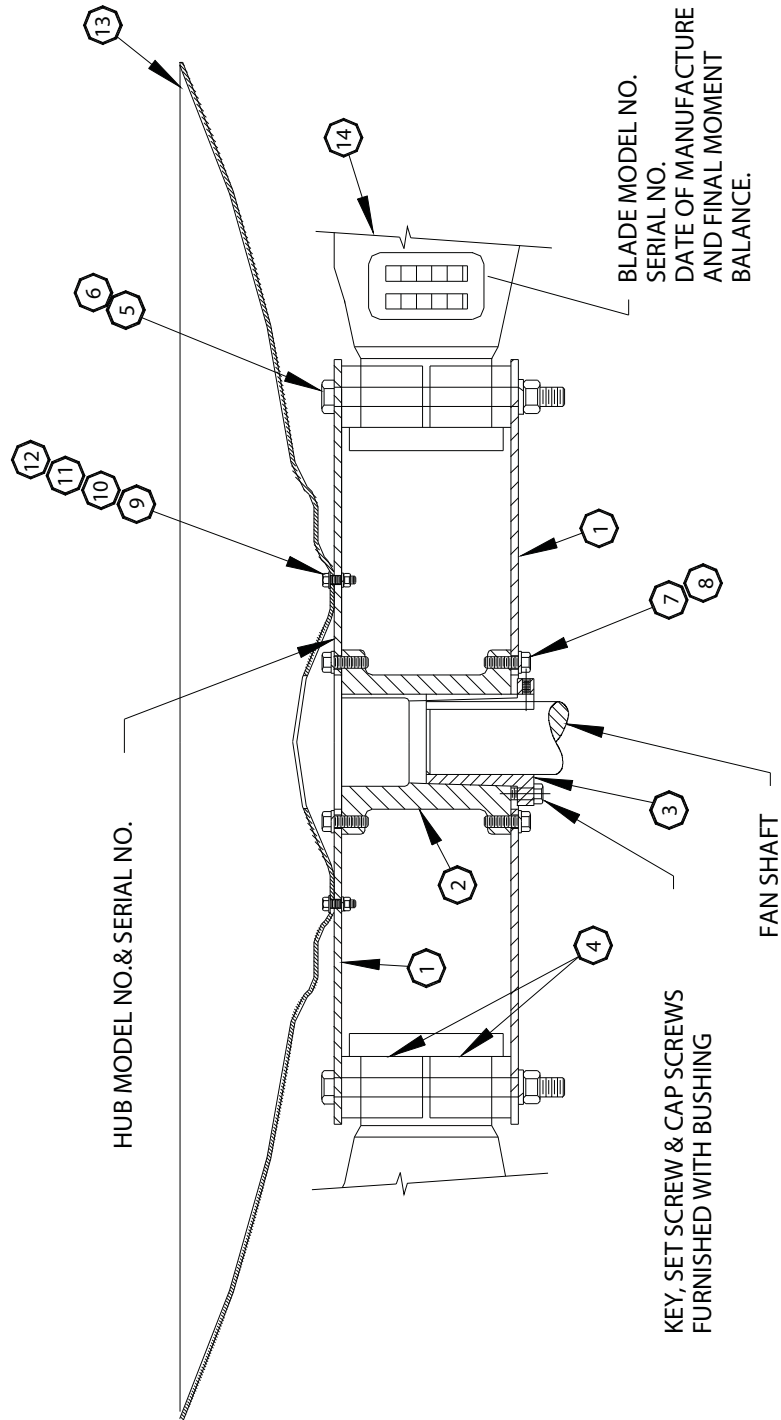


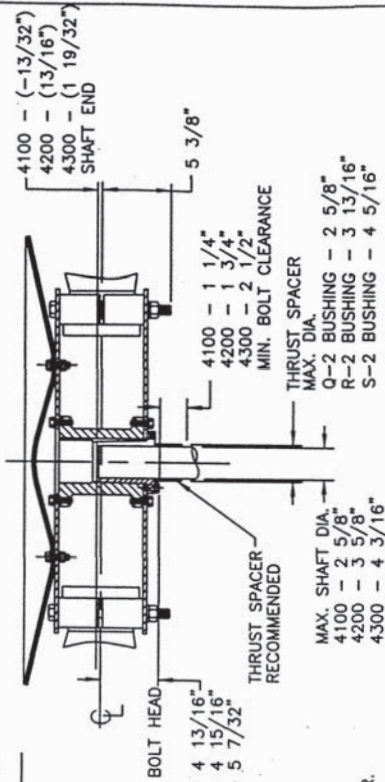
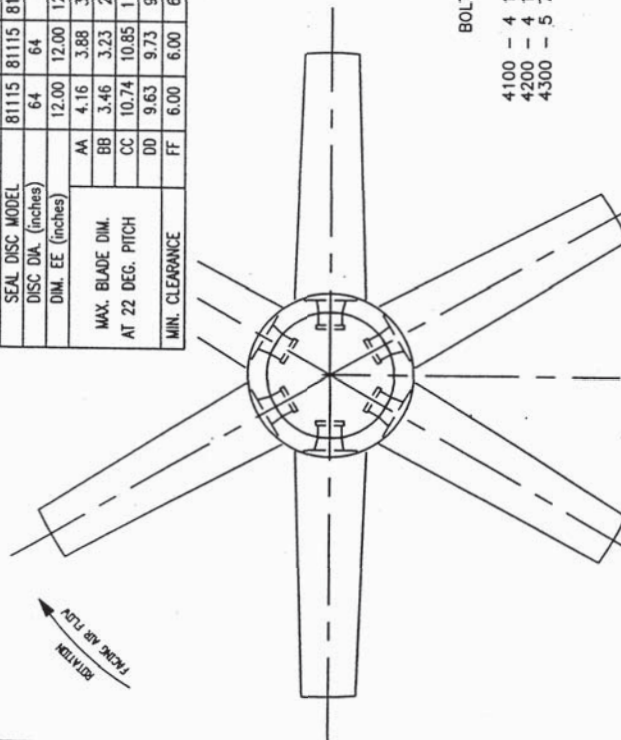
4000 Series Tuf-Lite Fans



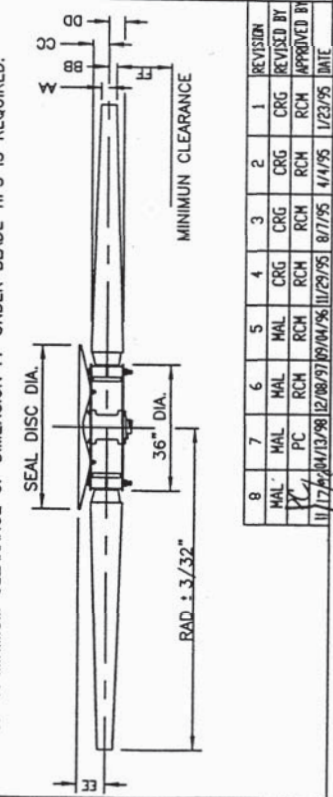
4000 Series Tuf-Lite Fans

NO. BLD	MODEL		FAN WEIGHTS (LBS)			
	R-2	S-2	15	16	18	20
4	H4204	H4304	521	541	557	573
5	H4205	H4305	574	599	619	639
6	H4206	H4306	627	657	681	705
7	H4207	H4307	680	715	743	771
8	H4208	H4308	733	773	805	837
9	H4209	H4309	786	831	867	903
10	H4210	H4310	839	889	929	969

STANDARD DIMENSIONS - MODEL H BLADES						
FAN DIAMETER (FEET)	15	16	18	20		
SEAL DISC MODEL	81115	81115	81115	81115		
DISC DIA. (inches)	64	64	64	64		
DIM. EE (inches)	12.00	12.00	12.00	12.00		
	AA	4.16	3.88	3.33	2.77	
MAX. BLADE DIM.	BB	3.46	3.23	2.77	2.30	
AT 22 DEG. PITCH	CC	10.74	10.85	11.05	11.19	
	DD	9.63	9.73	9.97	10.17	
MIN. CLEARANCE	FF	6.00	6.00	6.00	6.00	



- FOR HUB INSTALLATION AND OPERATION SEE MANUAL IN 4000H.
- THRUST SPACER RECOMMENDED IF GEAR BOX SHAFT HAS NO SHOULDER.
- SPECIAL TAPERED BORES AVAILABLE.
- THE AA, BB, CC, DD DIMENSIONS CAN VARY AS MUCH AS 1 1/2", DEPENDING ON HOW THE BLADES ARE TRACKED.
- A MINIMUM CLEARANCE OF DIMENSION FF UNDER BLADE TIPS IS REQUIRED.



ACFM	STATIC PRESS.	IN. WATER
TEMP.	DENSITY RATIO	ALT. FT.
FAN RPM	PITCH ANGLE (APPROX)*	
FAN MODEL	HUB MODEL	
BLADE	BORE	KEYWAY
QTY.		
P.O. NO.	HUDSON JOB NO.	DATE
APPROVED		
HUDSON PRODUCTS CORPORATION HOUSTON, TEXAS CERTIFIED PRINT		
DRAWING NO. CP-4000H		

REVISION	DATE	BY	APPROVED BY
1	1/23/95	CRG	RCH
2	4/14/95	CRG	RCH
3	8/7/95	CRG	RCH
4	11/29/95	CRG	RCH
5	11/29/95	HAL	PC
6	12/08/97	HAL	PC
7	08/13/98	HAL	PC
8	11/17/98	HAL	PC



PROJECT NAME AND LOCATION:
MODEL NO.:
DWG NAME:
DRAWING NUMBER: A-100
JOB NUMBER:
SHEET 1 of 1
REV: 0
SCALE: NO SCALE
COMMENTS:

THIS DRAWING IS THE SOLE PROPERTY OF COOLING TOWER DEPOT INC. USE SHALL BE LIMITED TO THE PROJECT FOR WHICH IT IS INTENDED. NO REPRODUCTION SHALL BE MADE NOR SHALL THIS INFORMATION BE MADE AVAILABLE TO THIRD PARTIES WITHOUT THE PRIOR WRITTEN CONSENT BY COOLING TOWER DEPOT INC. ANY AND ALL PROPRIETARY RIGHTS TO THIS INFORMATION AND DESIGN ARE THE SOLE PROPERTY OF COOLING TOWER DEPOT INC.

REV.	DESCRIPTION	DESIGNED BY:	CHECKED BY:	APPROVED BY:	DATE:
0					
1					
2					
3					
4					

COOLING TOWER DEPOT, INC
CORPORATE CIRCLE
GOLDEN, CO 80401
720-746-1234

JOB NUMBER:
SCALE: NO SCALE
SHEET 1 of 1
A-100